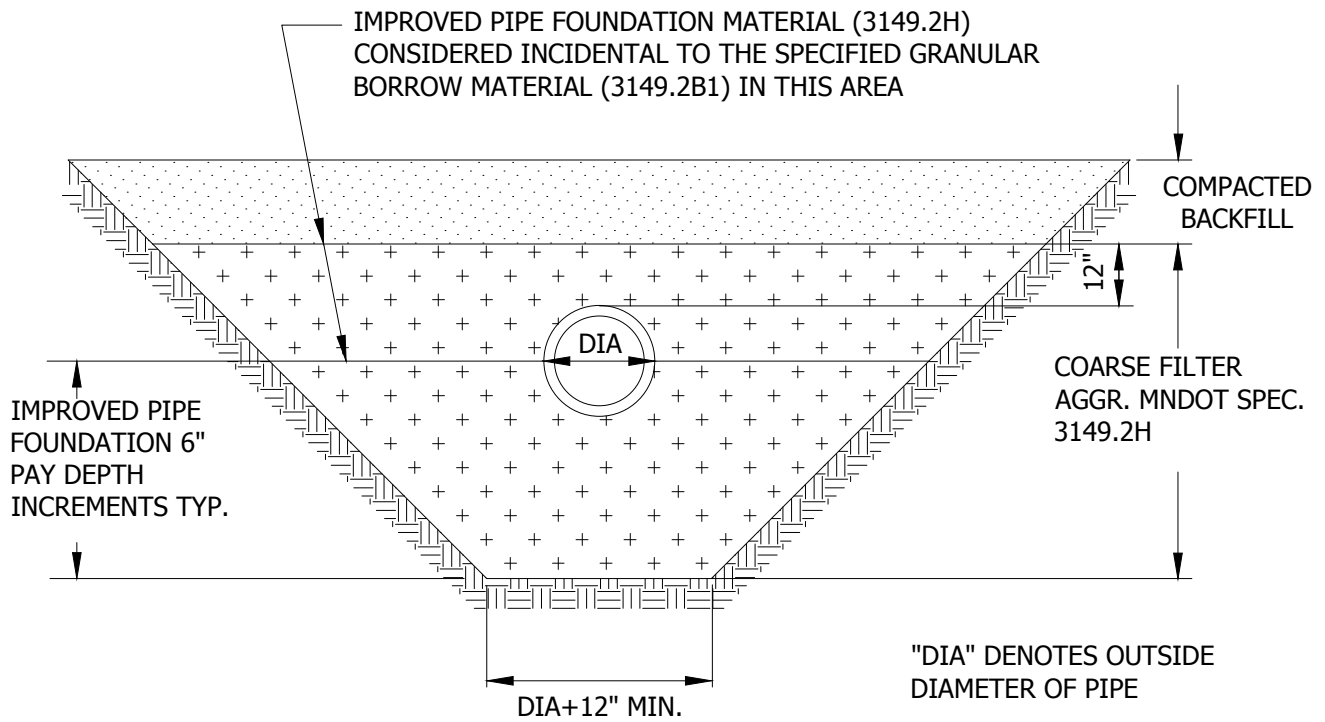


**PIPE FOUNDATION & BEDDING
GOOD SOILS**



**IMPROVED PIPE FOUNDATION MATERIAL
POOR SOILS**

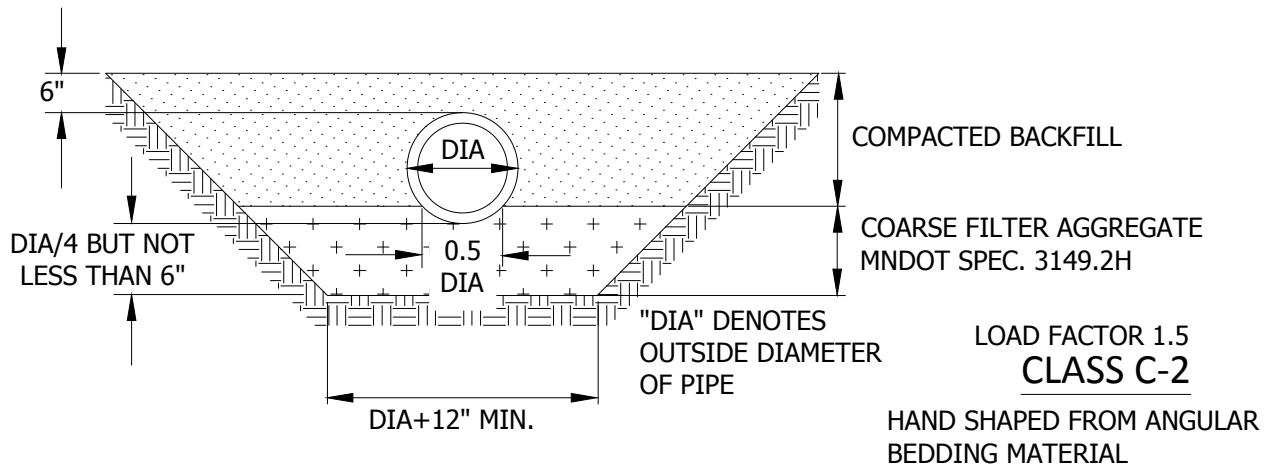
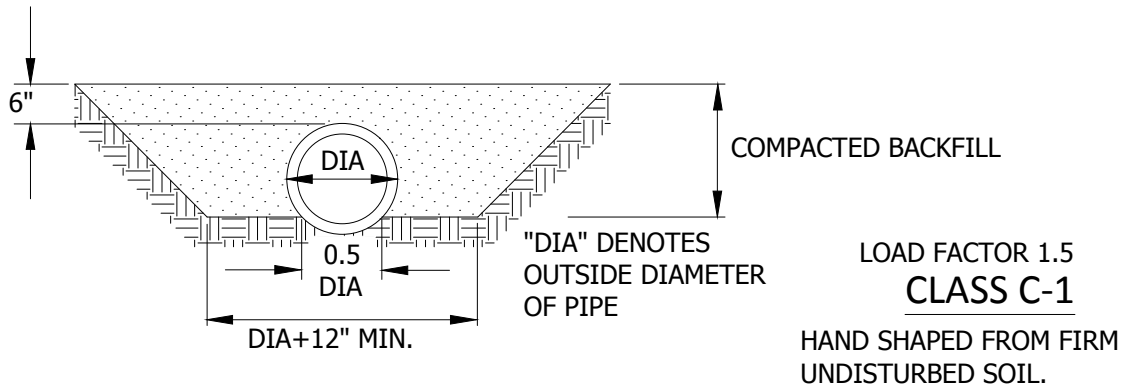
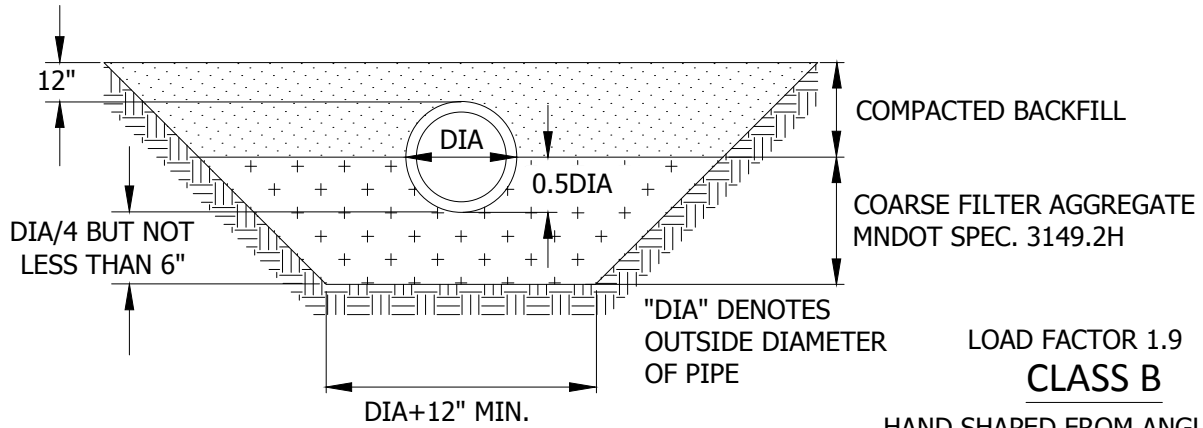


STANDARD DETAILS
**PIPE FOUNDATION &
BEDDING METHODS FOR PVC**

Revised
1/2019

Standard
Plate No.
BED-1

"DIA" DENOTES
OUTSIDE DIAMETER
OF PIPE



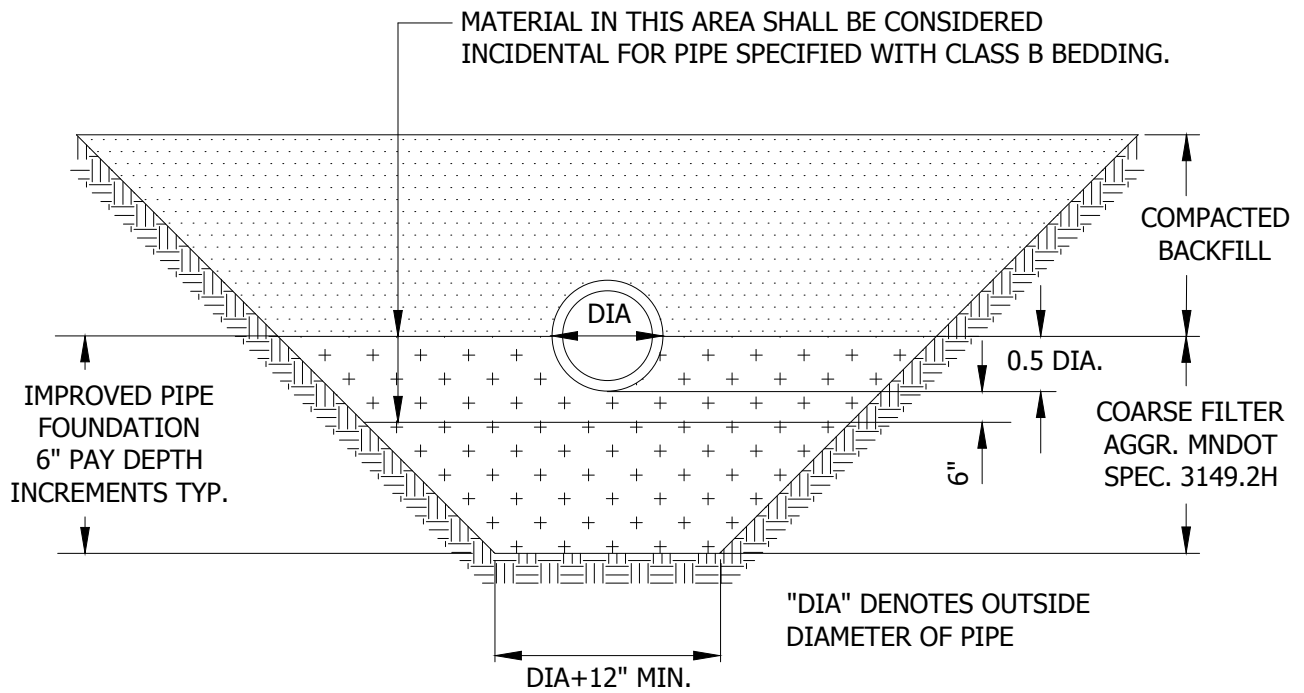
STANDARD DETAILS
PIPE FOUNDATION & BEDDING
METHODS FOR RCP OR DIP

Revised

1/2019

Standard
Plate No.

BED-2



STANDARD DETAILS
IMPROVED FOUNDATION
FOR ALL PIPES

Revised
1/2019

Standard
Plate No.
BED-3